

YTK YS-150 Expansion pillar Projector Lift



Features

The YS series Projector Lift is 2010 product, designs for the expansion pillar type , installs on the ceiling the elegant appearance.

- 1.5m projector lift, Three section type
- Supply RS232/RS485, Including: Manual and wireless remote control
- Function: Up, Down, stop, Brake Function
- Material: Iron of A3, expansion pillar type
- expansion pillar of three section type
- Braking mode: motor ,
- The adjustable projector angle mount bracket (the left/right 0-30 ° ; Up/Down 0-40 °)
- Automatic setting of one section: stop
- Color: Phenolic plastics , Surface treatment: Bake of high temperature

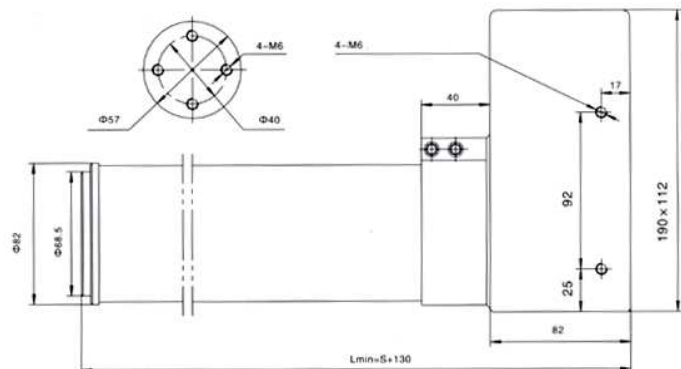
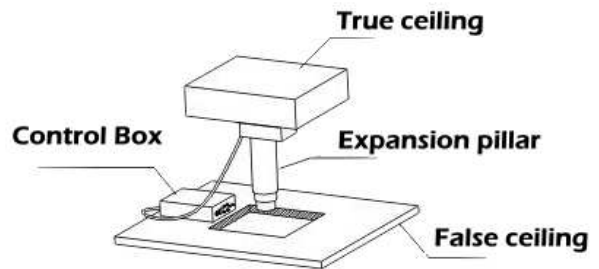
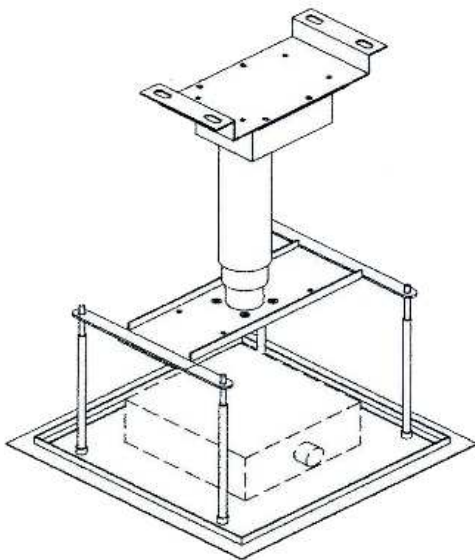
Specification

- Motion max distance: 836mm
- Between true ceiling and false ceiling the height(mm): 994
- Weight: 25kg
- Load weight:: 10kg, Max Load weight:: 15kg
- Speed: 3mm/S
- Power Supply: 24 V / DC, 13A plug,
- Dimensions (L x W x H): 190 x 112 x 664 mm

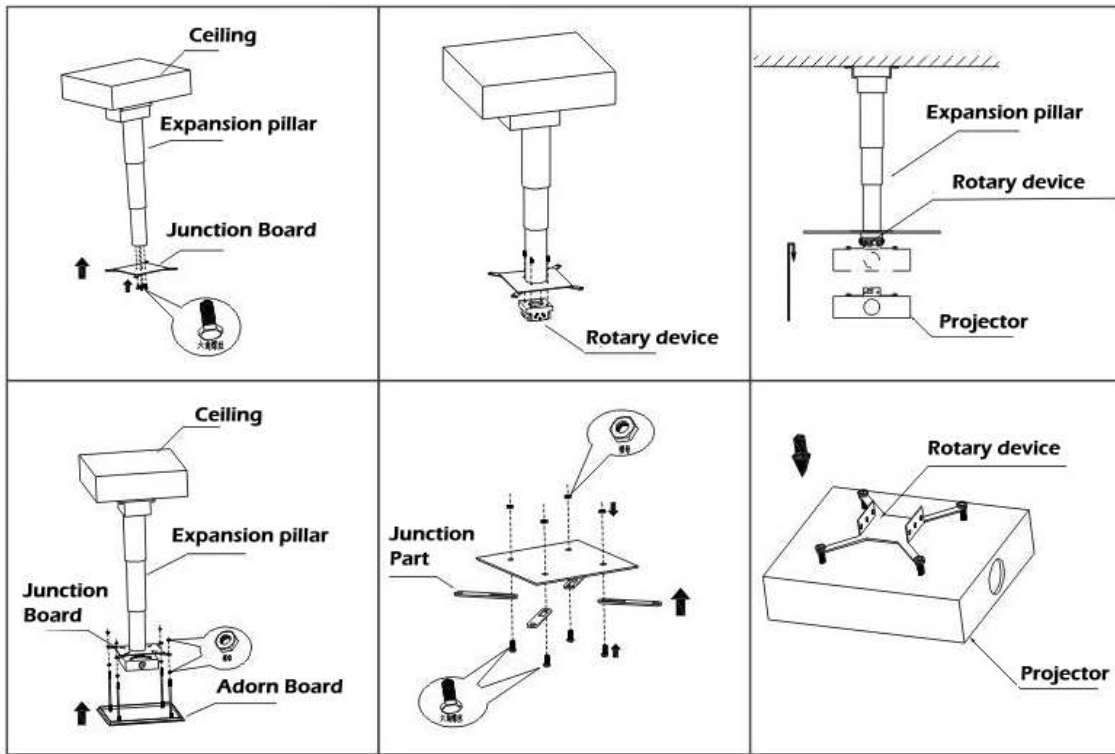
Built-in Wireless control:

- Control mode : RF wireless control
- Function: Up, Down, stop

Drawing



Operating:



Suitable use:

Mini rooms, Classrooms, Special classrooms, Meeting rooms, VIP rooms

Warranty: 12 Month

CB CE